

SECTION **HRN**
HORN

A
B
C
D
E
F
G
H
I
J
K
M
N
O
P

CONTENTS

PRECAUTION	2	REMOVAL AND INSTALLATION	6
PRECAUTIONS	2	HORN	6
Precaution for Supplemental Restraint System (SRS) "AIR BAG" and "SEAT BELT PRE-TEN- SIONER"	2	EXCEPT FOR MEXICO	6
WIRING DIAGRAM	3	EXCEPT FOR MEXICO : Exploded View	6
HORN	3	EXCEPT FOR MEXICO : Removal and Installa- tion	6
Wiring Diagram	3	FOR MEXICO	7
		FOR MEXICO : Exploded View	7
		FOR MEXICO : Removal and Installation	8

HRN

PRECAUTIONS

< PRECAUTION >

PRECAUTION

PRECAUTIONS

Precaution for Supplemental Restraint System (SRS) "AIR BAG" and "SEAT BELT PRE-TENSIONER"

INFOID:000000009238972

The Supplemental Restraint System such as "AIR BAG" and "SEAT BELT PRE-TENSIONER", used along with a front seat belt, helps to reduce the risk or severity of injury to the driver and front passenger for certain types of collision. This system includes seat belt switch inputs and dual stage front air bag modules. The SRS system uses the seat belt switches to determine the front air bag deployment, and may only deploy one front air bag, depending on the severity of a collision and whether the front occupants are belted or unbelted. Information necessary to service the system safely is included in the "SRS AIR BAG" and "SEAT BELT" of this Service Manual.

WARNING:

Always observe the following items for preventing accidental activation.

- To avoid rendering the SRS inoperative, which could increase the risk of personal injury or death in the event of a collision that would result in air bag inflation, all maintenance must be performed by an authorized NISSAN/INFINITI dealer.
- Improper maintenance, including incorrect removal and installation of the SRS, can lead to personal injury caused by unintentional activation of the system. For removal of Spiral Cable and Air Bag Module, see "SRS AIR BAG".
- Never use electrical test equipment on any circuit related to the SRS unless instructed to in this Service Manual. SRS wiring harnesses can be identified by yellow and/or orange harnesses or harness connectors.

PRECAUTIONS WHEN USING POWER TOOLS (AIR OR ELECTRIC) AND HAMMERS

WARNING:

Always observe the following items for preventing accidental activation.

- When working near the Air Bag Diagnosis Sensor Unit or other Air Bag System sensors with the ignition ON or engine running, never use air or electric power tools or strike near the sensor(s) with a hammer. Heavy vibration could activate the sensor(s) and deploy the air bag(s), possibly causing serious injury.
- When using air or electric power tools or hammers, always switch the ignition OFF, disconnect the battery, and wait at least 3 minutes before performing any service.

HORN

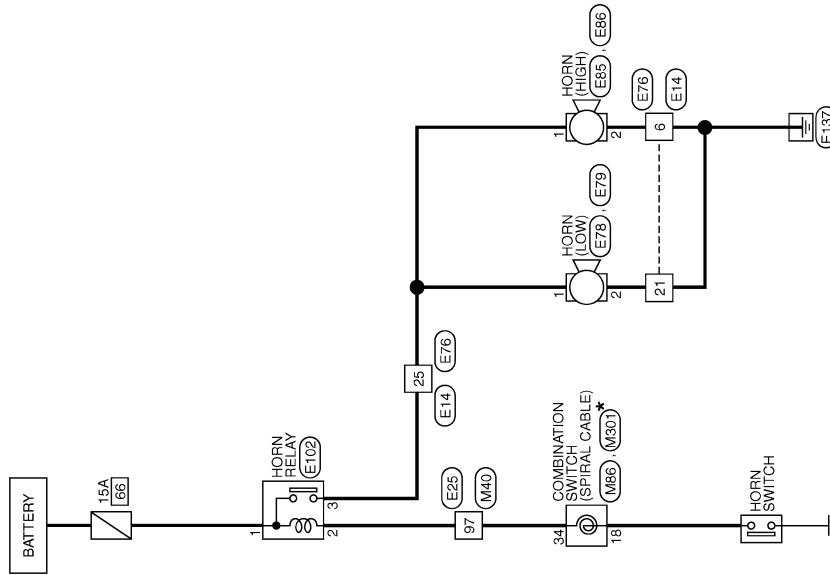
< WIRING DIAGRAM >

WIRING DIAGRAM

HORN

Wiring Diagram

INFOID:000000009238973



*: This connector is not shown in "Harness Layout".

HORN

2013/05/17

JRLWC5177GB

A
B
C
D
E
F
G
H
I
J
K
L
M
N
O
P

HRN

HORN

< WIRING DIAGRAM >

HORN

Connector No.	E14
Connector Name	WIRE TO WIRE
Connector Type	SAA18MB-RS10-SJZZ

Terminal No.	Color Of Wire	Signal Name [Specification]
1	GR	
2	LG	
3	BR	
4	Y	
5	B	
6	BR	
7	BR	
8	LG	
9	W	
10	V	
11	R	
12	R	
13	B	
14	P	
15	GR	
16	V	
17	B	
18	P	
19	B	
20	B	
21	SHIELD	
22	P	
23	P	
24	L	
25	V	
26	B	
27	B	
28	B	

Connector No. E14
Connector Name WIRE TO WIRE
Connector Type SAA18MB-RS10-SJZZ

Connector No.	E15
Connector Name	WIRE TO WIRE
Connector Type	TH80FW-CS18-TM4

Terminal No.	Color Of Wire	Signal Name [Specification]
1	GR	
2	LG	
3	GR	
4	BR	
5	V	
6	V	
7	L	
8	L	
9	BR	
10	GR	
11	L	
12	GR	
13	W	
14	B	
15	SB	
16	Y	
17	BR	
18	L	
19	Y	
20	Y	
21	GR	
22	GR	
23	R	
24	V	
25	L	
26	B	
27	B	
28	B	
29	B	
30	B	
31	B	
32	B	
33	R	
34	GR	
35	GR	
36	R	
37	V	
38	L	
39	Y	
40	SB	
41	LG	
42	Y	
43	W	
44	W	
45	W	
46	B	
47	G	
48	SHIELD	
49	BR	
50	L	
51	W	
52	W	
53	V	
54	P	
55	W	

Connector No. E15
Connector Name WIRE TO WIRE
Connector Type TH80FW-CS18-TM4

Connector No.	E16
Connector Name	WIRE TO WIRE
Connector Type	SAA18FB-RS10-SJZZ

Terminal No.	Color Of Wire	Signal Name [Specification]
1	GR	
2	LG	
3	BR	
4	Y	
5	B	
6	BR	
7	BR	
8	LG	
9	W	
10	V	
11	R	
12	R	
13	B	
14	P	
15	GR	
16	V	
17	B	
18	P	
19	B	
20	B	
21	SHIELD	
22	P	
23	L	
24	V	
25	V	
26	B	
27	B	
28	B	

Connector No. E16
Connector Name WIRE TO WIRE
Connector Type SAA18FB-RS10-SJZZ

Connector No.	E17
Connector Name	WIRE TO WIRE
Connector Type	TH80FW-CS18-TM4

Terminal No.	Color Of Wire	Signal Name [Specification]
1	GR	
2	LG	
3	GR	
4	BR	
5	V	
6	V	
7	L	
8	L	
9	BR	
10	GR	
11	L	
12	GR	
13	W	
14	B	
15	SB	
16	Y	
17	BR	
18	L	
19	Y	
20	Y	
21	GR	
22	GR	
23	R	
24	V	
25	L	
26	B	
27	B	
28	B	
29	B	
30	B	
31	B	
32	B	
33	R	
34	GR	
35	GR	
36	R	
37	V	
38	L	
39	Y	
40	SB	
41	LG	
42	Y	
43	W	
44	W	
45	W	
46	B	
47	G	
48	SHIELD	
49	BR	
50	L	
51	W	
52	W	
53	V	
54	P	
55	W	

Connector No. E17
Connector Name WIRE TO WIRE
Connector Type TH80FW-CS18-TM4

Connector No.	E18
Connector Name	WIRE TO WIRE
Connector Type	SAA18FB-RS10-SJZZ

Terminal No.	Color Of Wire	Signal Name [Specification]
1	GR	
2	LG	
3	BR	
4	Y	
5	B	
6	BR	
7	BR	
8	LG	
9	W	
10	V	
11	R	
12	R	
13	B	
14	P	
15	GR	
16	V	
17	B	
18	P	
19	B	
20	B	
21	SHIELD	
22	P	
23	L	
24	V	
25	V	
26	B	
27	B	
28	B	

Connector No. E18
Connector Name WIRE TO WIRE
Connector Type SAA18FB-RS10-SJZZ

Connector No.	E19
Connector Name	WIRE TO WIRE
Connector Type	TH80FW-CS18-TM4

Terminal No.	Color Of Wire	Signal Name [Specification]
1	GR	
2	LG	
3	GR	
4	BR	
5	V	
6	V	
7	L	
8	L	
9	BR	
10	GR	
11	L	
12	GR	
13	W	
14	B	
15	SB	
16	Y	
17	BR	
18	L	
19	Y	
20	Y	
21	GR	
22	GR	
23	R	
24	V	
25	L	
26	B	
27	B	
28	B	
29	B	
30	B	
31	B	
32	B	
33	R	
34	GR	
35	GR	
36	R	
37	V	
38	L	
39	Y	
40	SB	
41	LG	
42	Y	
43	W	
44	W	
45	W	
46	B	
47	G	
48	SHIELD	
49	BR	
50	L	
51	W	
52	W	
53	V	
54	P	
55	W	

Connector No. E19
Connector Name WIRE TO WIRE
Connector Type TH80FW-CS18-TM4

Connector No.	E20
Connector Name	WIRE TO WIRE
Connector Type	TH80FW-CS18-TM4

Terminal No.	Color Of Wire	Signal Name [Specification]
1	GR	
2	LG	
3	GR	
4	BR	
5	V	
6	V	
7	L	
8	L	
9	BR	
10	GR	
11	L	
12	GR	
13	W	
14	B	
15	SB	
16	Y	
17	BR	
18	L	
19	Y	
20	Y	
21	GR	
22	GR	
23	R	
24	V	
25	L	
26	B	
27	B	
28	B	
29	B	
30	B	
31	B	
32	B	
33	R	
34	GR	
35	GR	
36	R	
37	V	
38	L	
39	Y	
40	SB	
41	LG	
42	Y	
43	W	
44	W	
45	W	
46	B	
47	G	
48	SHIELD	
49	BR	
50	L	
51	W	
52	W	
53	V	
54	P	
55	W	

Connector No. E20
Connector Name WIRE TO WIRE
Connector Type TH80FW-CS18-TM4

Connector No.	E21
Connector Name	WIRE TO WIRE
Connector Type	TH80FW-CS18-TM4

Terminal No.	Color Of Wire	Signal Name [Specification]
1	GR	
2	LG	
3	GR	
4	BR	
5	V	
6	V	
7	L	
8	L	
9	BR	
10	GR	
11	L	
12	GR	
13	W	
14	B	
15	SB	
16	Y	
17	BR	
18	L	
19	Y	
20	Y	
21	GR	
22	GR	
23	R	
24	V	
25	L	
26	B	
27	B	
28	B	
29	B	
30	B	
31	B	
32	B	
33	R	
34	GR	
35	GR	
36	R	
37	V	
38	L	
39	Y	
40	SB	
41	LG	
42	Y	
43	W	
44	W	
45	W	
46	B	
47	G	
48	SHIELD	
49	BR	
50	L	
51	W	
52	W	
53	V	
54	P	
55	W	

Connector No. E21
Connector Name WIRE TO WIRE
Connector Type TH80FW-CS18-TM4

Connector No.	E22
Connector Name	WIRE TO WIRE
Connector Type	TH80FW-CS18-TM4

Terminal No.	Color Of Wire	Signal Name [Specification]
1	GR	
2	LG	
3	GR	
4	BR	
5	V	
6	V	
7	L	
8	L	
9	BR	
10	GR	
11	L	
12	GR	
13	W	
14	B	
15	SB	
16	Y	
17	BR	
18	L	
19	Y	
20	Y	
21	GR	
22	GR	
23	R	
24	V	
25	L	
26	B	
27	B	
28	B	
29	B	
30	B	
31	B	
32	B	
33	R	
34	GR	
35	GR	
36	R	
37	V	
38	L	
39	Y	
40	SB	
41	LG	
42	Y	
43	W	
44	W	
45	W	
46	B	
47	G	
48	SHIELD	
49	BR	
50	L	
51	W	
52	W	
53	V	
54	P	
55	W	

Connector No. E22
Connector Name WIRE TO WIRE
Connector Type TH80FW-CS18-TM4

Connector No.	E23
Connector Name	WIRE TO WIRE
Connector Type	TH80FW-CS18-TM4

Terminal No.	Color Of Wire	Signal Name [Specification]
1	GR	
2	LG	
3	GR	
4	BR	
5	V	
6	V	
7	L	
8	L	
9	BR	
10	GR	
11	L	
12	GR	
13	W	
14	B	
15	SB	
16	Y	
17	BR	
18	L	
19	Y	
20	Y	
21	GR	
22	GR	
23	R	
24	V	
25	L	
26	B	
27	B	
28	B	
29	B	
30	B	
31	B	
32	B	
33	R	
34	GR	
35	GR	
36	R	
37	V	
38	L	
39	Y	
40	SB	
41	LG	
42	Y	
43	W	
44	W	
45	W	
46	B	
47	G	
48	SHIELD	
49	BR	
50	L	
51	W	
52	W	
53	V	
54	P	
55	W	

Connector No. E23
Connector Name WIRE TO WIRE
Connector Type TH

HORN

< REMOVAL AND INSTALLATION >

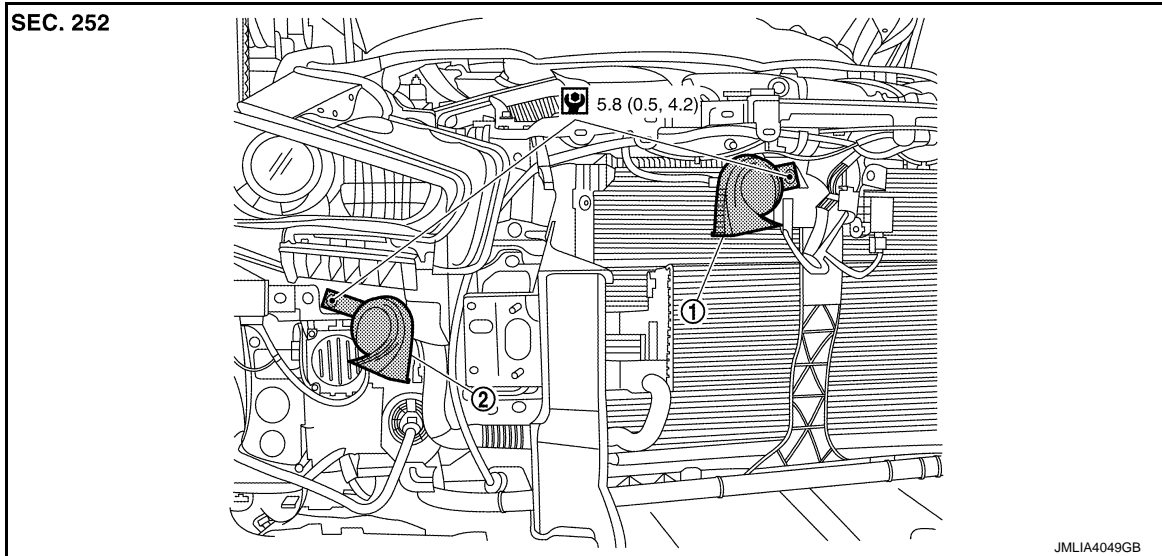
REMOVAL AND INSTALLATION

HORN

EXCEPT FOR MEXICO


EXCEPT FOR MEXICO : Exploded View

INFOID:000000009315659



① Horn (high)

② Horn (low)

 : N·m (kg·m, ft·lb)


EXCEPT FOR MEXICO : Removal and Installation

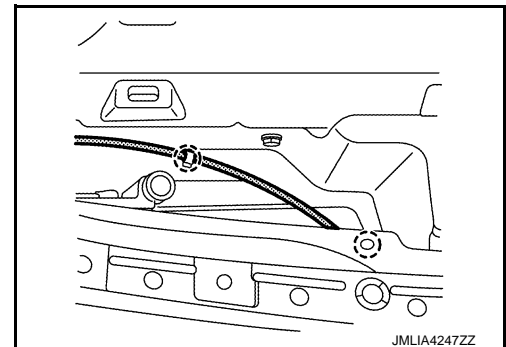
INFOID:000000009315660

REMOVAL

Horn High

1. Remove the air duct (inlet). Refer to [EM-29, "Removal and Installation"](#).
2. Disengage the hood lock control cable (front) fixing clips.

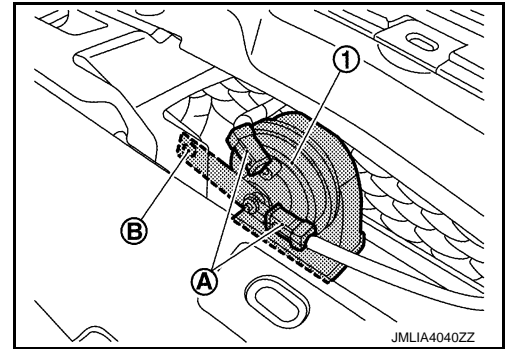
 : Clip



HORN

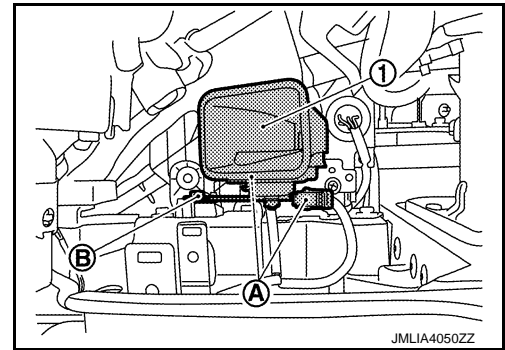
< REMOVAL AND INSTALLATION >

3. Disconnect the horn (high) connectors (A).
4. Remove the horn (high) mounting bolt (B), and remove the horn (high) (1).



Horn Low

1. Remove the front fender protector front. Refer to [EXT-29, "FENDER PROTECTOR : Removal and Installation"](#).
2. Disconnect the horn (low) connectors (A).
3. Remove the horn (low) mounting bolt (B), and remove the horn (low) (1).



INSTALLATION

Install in the reverse order of removal.

CAUTION:

Be careful to connect power supply harness connector and ground harness connector normally.

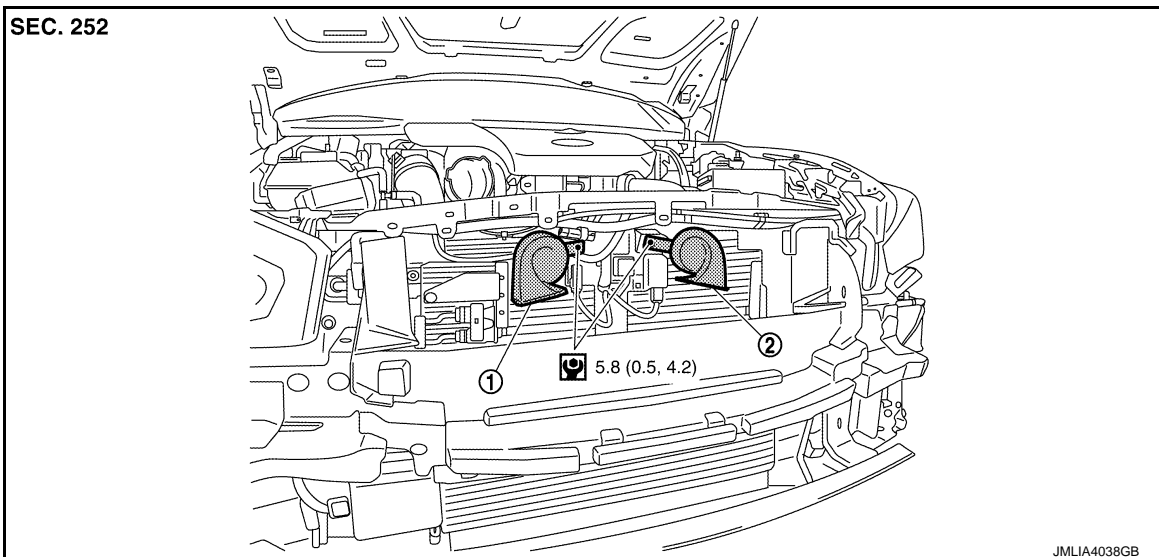
Harness connector	Horn
Brown	Power supply (terminal with brown plastic base)
Black	Ground (terminal located on horn bracket)

FOR MEXICO

FOR MEXICO : Exploded View

INFOID:000000009664546

HRN




HORN

< REMOVAL AND INSTALLATION >

① Horn (high)

② Horn (low)

 : N·m (kg·m, ft·lb)

FOR MEXICO : Removal and Installation

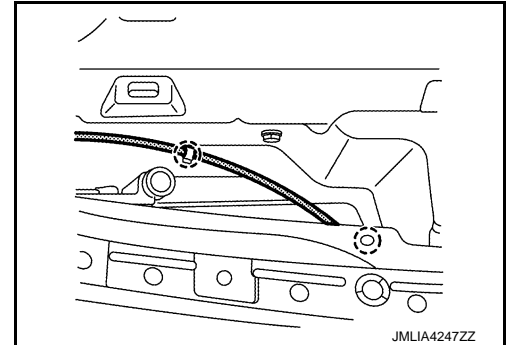
INFOID:000000009664547

REMOVAL

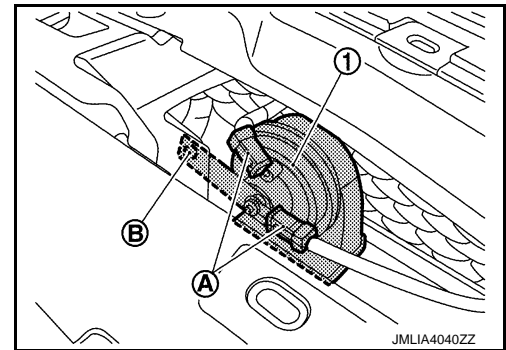
Horn High

1. Remove the air duct (inlet). Refer to [EM-29. "Removal and Installation"](#).
2. Disengage the hood lock control cable (front) fixing clips.

 : Clip

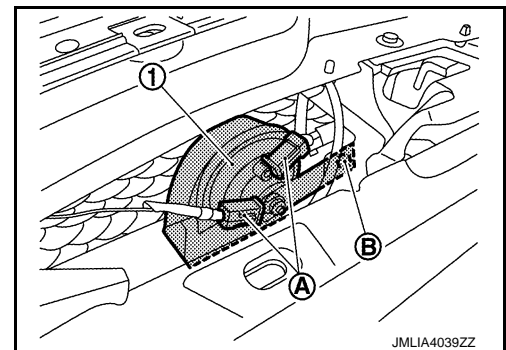


3. Disconnect the horn (high) connectors (A).
4. Remove the horn (high) mounting bolt (B), and remove the horn (high) (1).



Horn Low

1. Disconnect the horn (low) connectors (A).
2. Remove the horn (low) mounting bolt (B), and remove the horn (low) (1).



INSTALLATION

Install in the reverse order of removal.

CAUTION:

Be careful to connect power supply harness connector and ground harness connector normally.

Harness connector	Horn
Brown	Power supply (terminal with brown plastic base)
Black	Ground (terminal located on horn bracket)